

HE7aR 750V DC 10A-100A

Semiconductor Fuses

半导体保护熔断器



Standard/ 标准: GB/T 13539.4, IEC 60269-4, UL 248-13

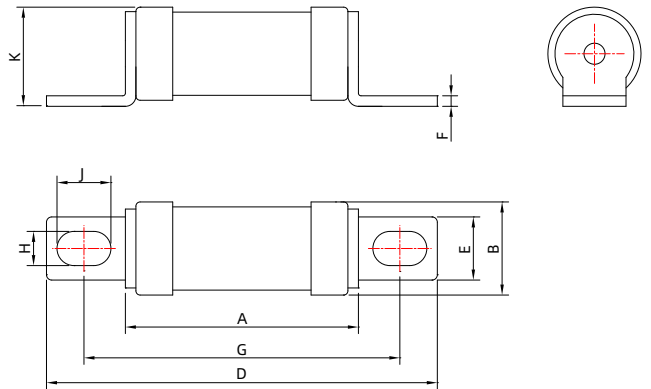
INTERRUPTING CAPACITY / 分断能力:

50,000 amperes at 750V DC

Dimensions/ 尺寸:

Unit 单位: mm

Type: HE7aR Part No.: HE7aR (amp rating)



TECHNICAL PARAMETERS/ 技术参数:

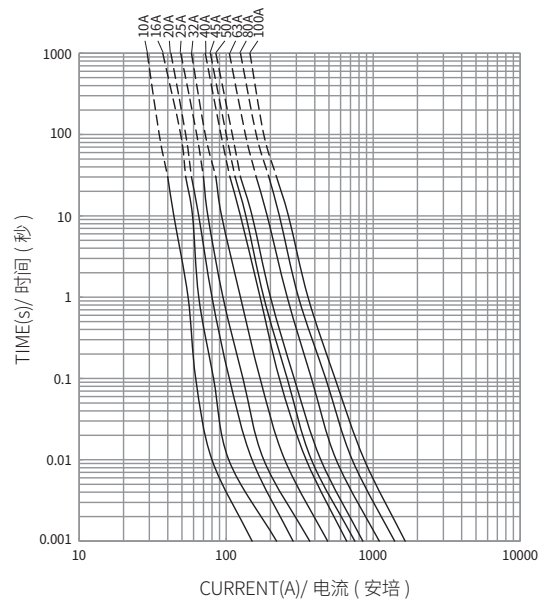
PART NO. 目录编号	CURRENT RATING 额定电流	SAFETY APPROVALS 安全认证		
		cURus	CCC	TUV
HE7aR10	10A	●	●	●
HE7aR16	16A	●	●	●
HE7aR20	20A	●	●	●
HE7aR25	25A	●	●	●
HE7aR32	32A	●	●	●
HE7aR40	40A	●	●	●
HE7aR45	45A	●	●	●
HE7aR50	50A	●	●	●
HE7aR63	63A	●	●	●
HE7aR80	80A	●	●	●
HE7aR100	100A	●	●	●

● DENOTES FOR APPROVAL
○ DENOTES FOR PENDING

● 表示已取得安全认证
○ 表示正在申请安全认证

HE7aR 平均 I-T 曲线图 (仅供参考)

AVERAGE I-T CHARACTERISTICS CURVE
(FOR REFERENCE ONLY)



额定电流 Current Rating	尺寸 Dimensions(mm)								
	A	B	D	E	F	G	H	J	K
6A-100A	44.5±1	18.0±1	75.5±2	12.0±0.5	2.0±0.5	60.0±3	6.3+0.5/-0.1	10.25±0.5	19.0±2